



RJ724 ROUND NOSE PULL

Concealed Edge Pull

#RAJACK

3/16"

MATERIAL THICKNESS (THK)

1/2" Dia

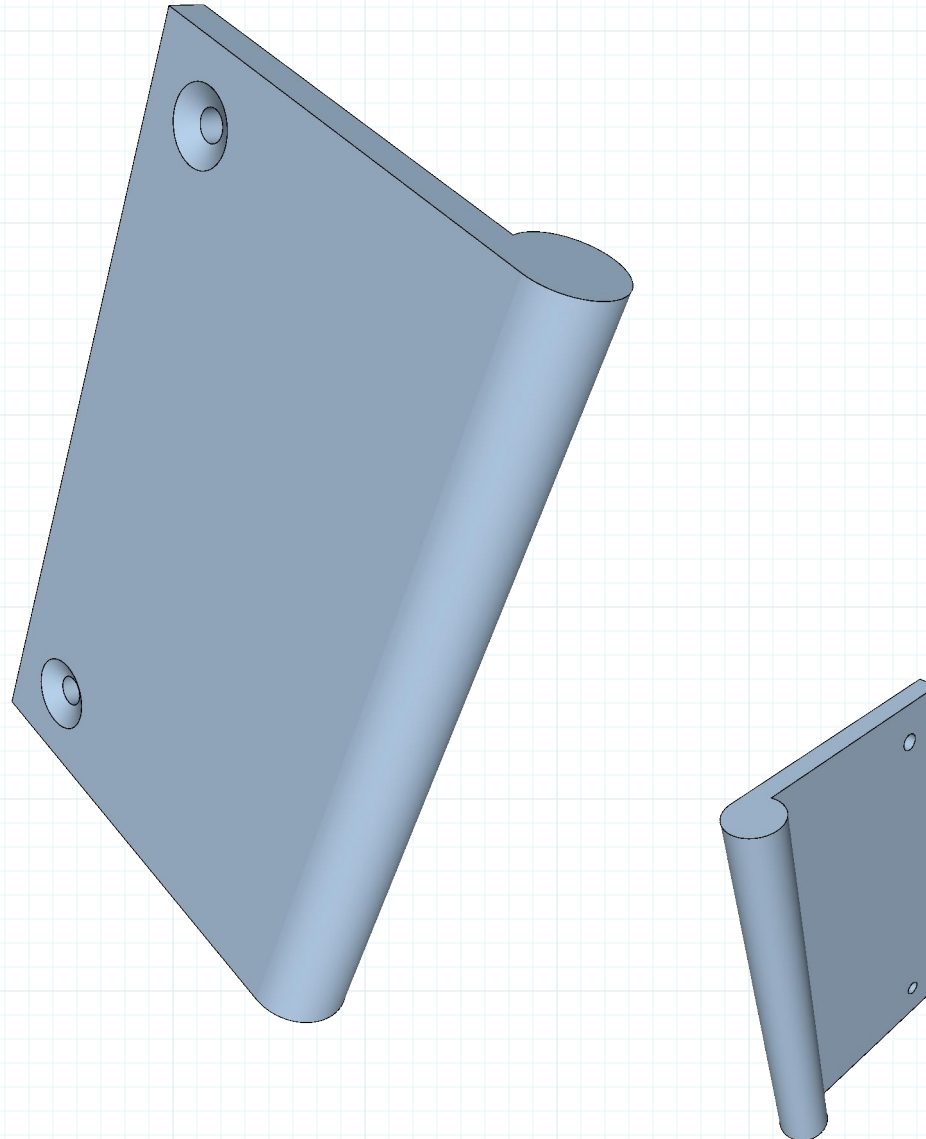
NOSE (N)

1-1/2" to 3-00"

MATERIAL PROJECTION (OA-P)

1-1/2" up to 12"

MATERIAL OA LENGTH (L)



Finishes

- US03 Pol.Brass
- US03A Pol.Brass N/L
- US04 Satin Brass
- US04A Satin Brass N/L
- US05 Antique Brass
- US09 Polished Bronze
- US10 Satin Bronze
- US10A Dark Bronze
- US10B Oil Rubbed Bronze
- US14 Pol.Nickel
- US14A Pol.Nickel N/L
- US15 Satin Nickel
- US15A Satin Nickel N/L
- US19 Satin Black
- US26 Pol.Chrome
- US26D Satin Chrome

Powder Coating All RAL Colors

Match Your Sample

* RAJACK can match any custom or existing hardware finishes provided you submit a sample when placing order.



info@rajack.com

RAJACK HARDWARE

95 Rome Street
Farmingdale, NY 11735
631-293-8273 Phone

RJ724-1

RAJACK.com



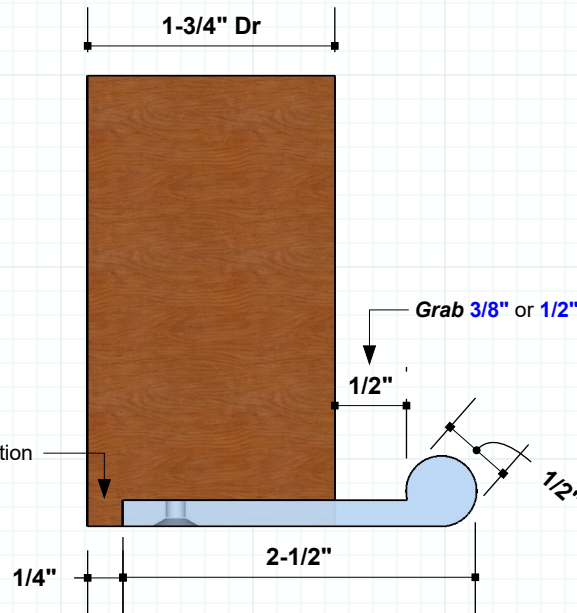
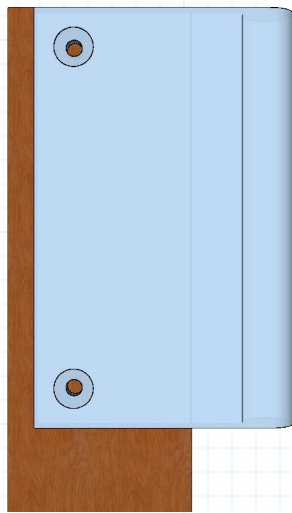
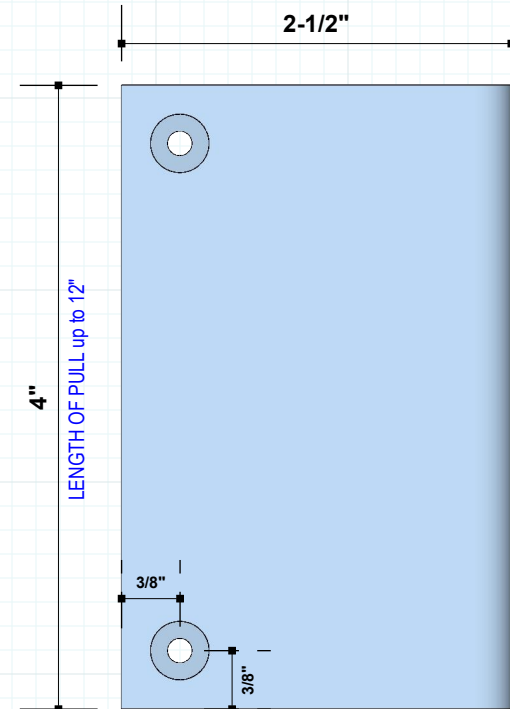
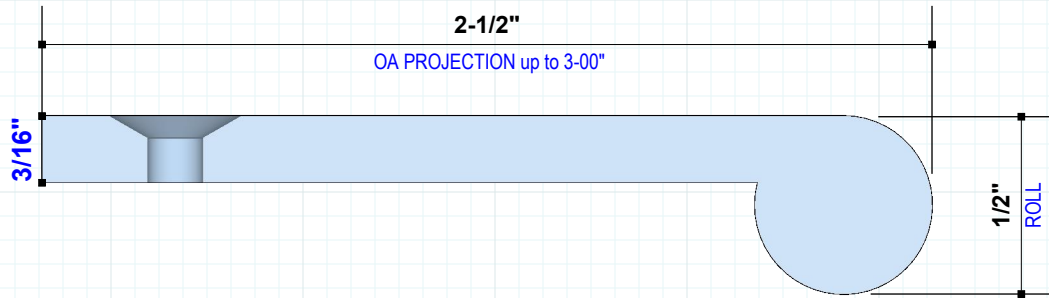
RJ724 ROUND NOSE PULL

Concealed Edge Pull

#RAJACK

3/16" Thick Material

#8 x 3/4" Wood Screw



Back Space
This can be adjusted based on your door condition

4"L x 2-1/2"W Pull
1-3/4" Thk Door
Example Shown



info@rajack.com

RAJACK HARDWARE
95 Rome Street
Farmingdale, NY 11735
631-293-8273 Phone

RJ724-2

RAJACK.com