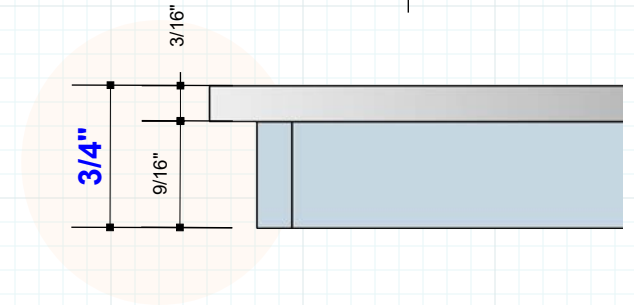
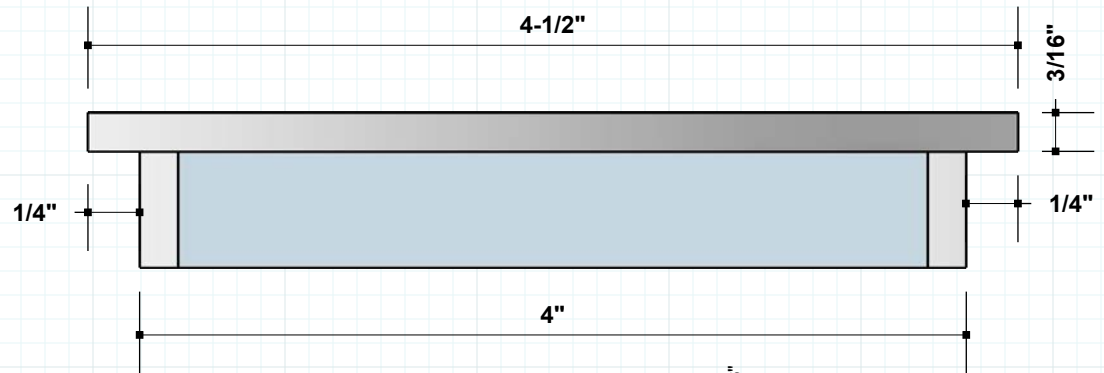
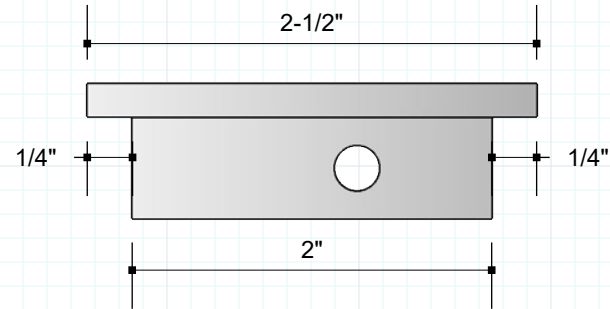
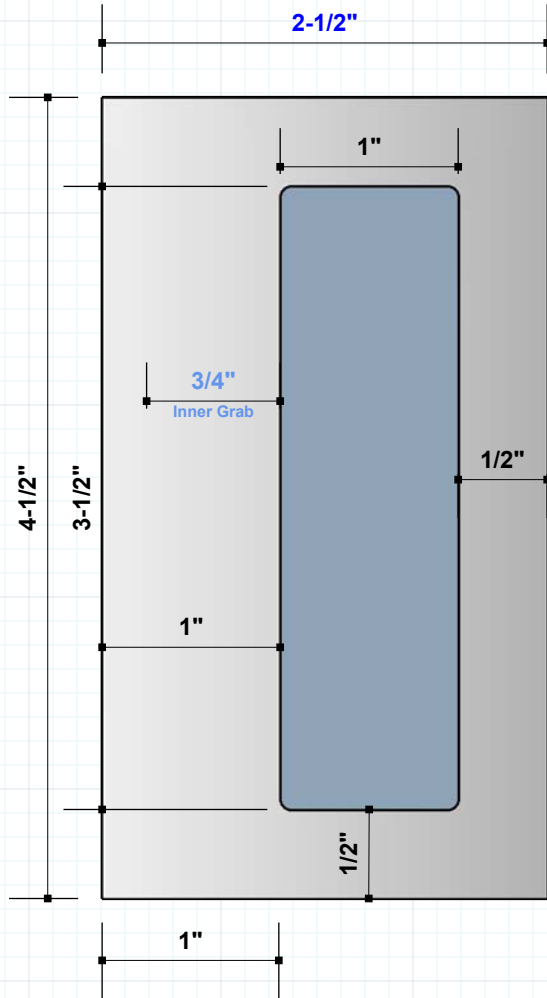




RJ578 FLUSH PULL 4-1/2"

Builders Hardware: Flush Pulls

#RAJACK



Standard Size

4-1/2"L x 2-1/2" Width

Can be manufactured to other lengths as requested

Available in all Finishes, to see a current list:

rajack.com/finish



info@rajack.com

RAJACK HARDWARE

95 Rome Street
Farmingdale, NY 11735
631-293-8273 Phone

RJ578-1 of 2

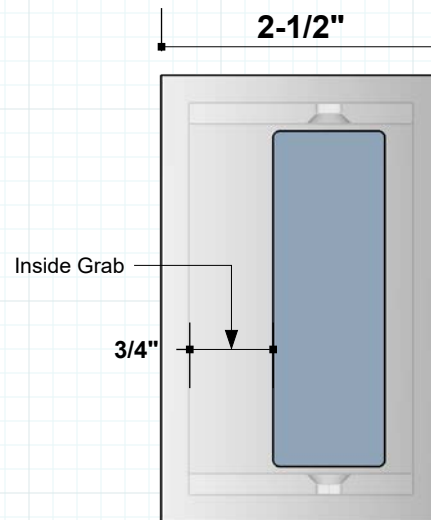
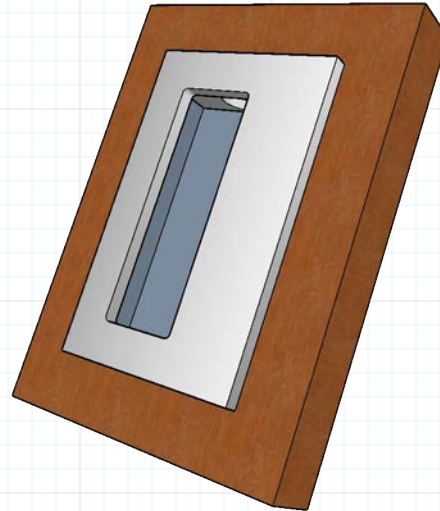
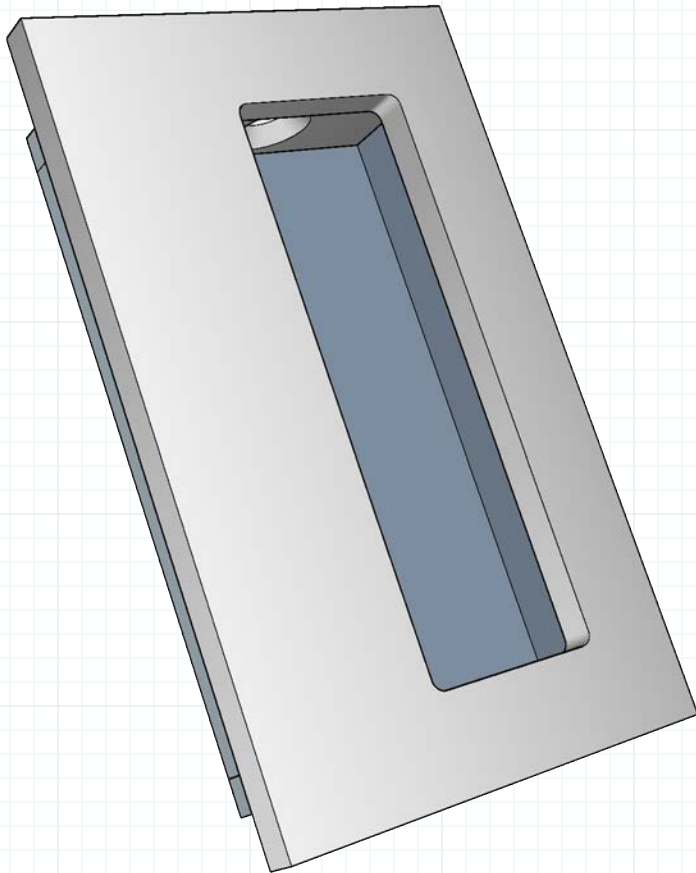
RAJACK.com



RJ578 FLUSH PULL

Builders Hardware: Flush Pulls

#RAJACK



Finishes

- US03 Pol. Brass
- US03A Pol. Brass N/L
- US04 Satin Brass
- US04A Satin Brass N/L
- US05 Antique Brass
- US09 Polished Bronze
- US10 Satin Bronze
- US10A Dark Bronze
- US10B Oil Rubbed Bronze
- US14 Pol. Nickel
- US14A Pol. Nickel N/L
- US15 Satin Nickel
- US15A Satin Nickel N/L
- US19 Satin Black
- US26 Pol. Chrome
- US26D Satin Chrome

Powder Coating

Match Your Sample

* RAJACK can match any custom or existing hardware finishes provided you submit a sample when placing order.



info@rajack.com

RAJACK HARDWARE
95 Rome Street
Farmingdale, NY 11735
631-293-8273 Phone

RJ578-2 of 2

RAJACK.com

Available in all Finishes, to see a current list:

rajack.com/finish