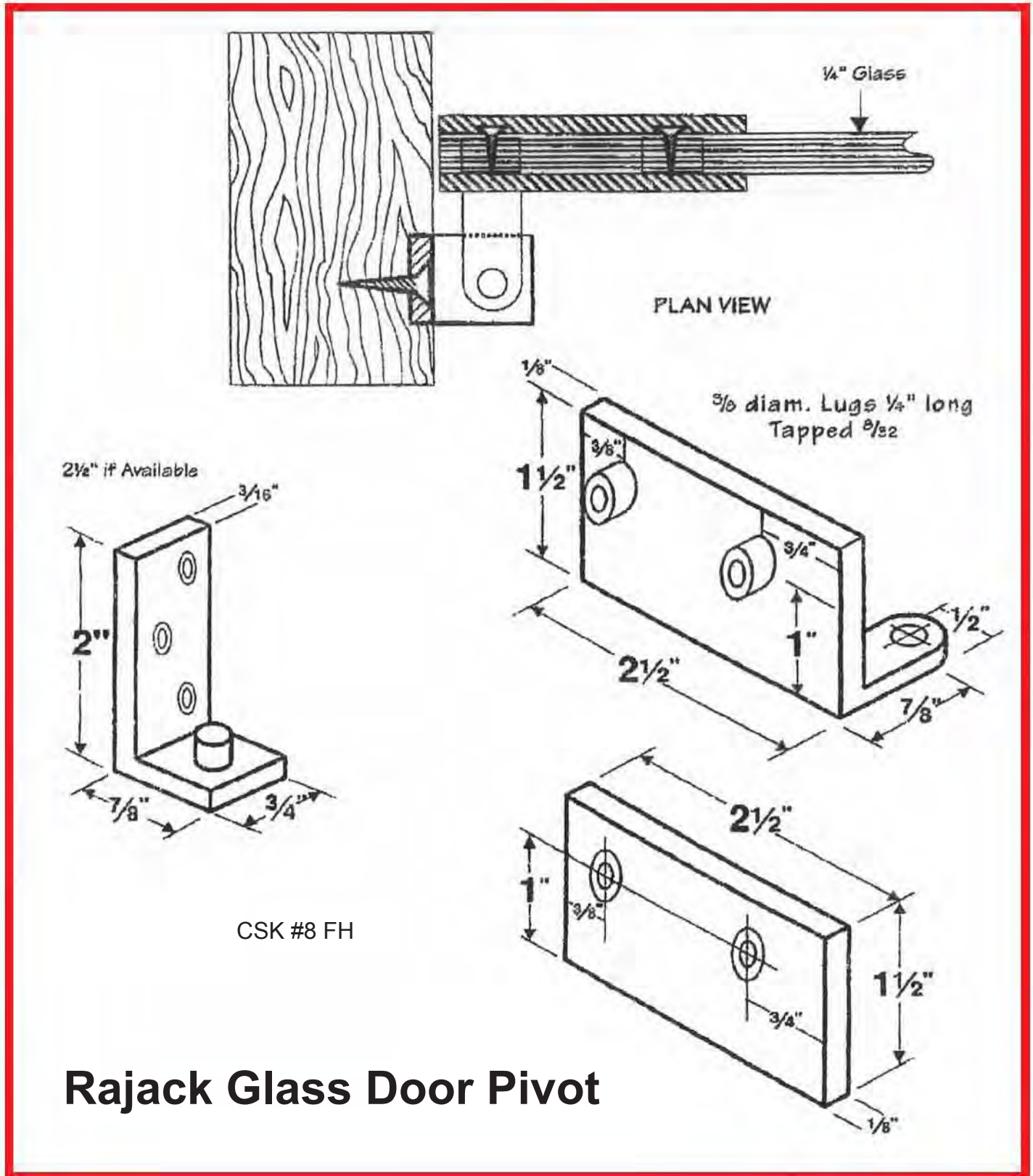
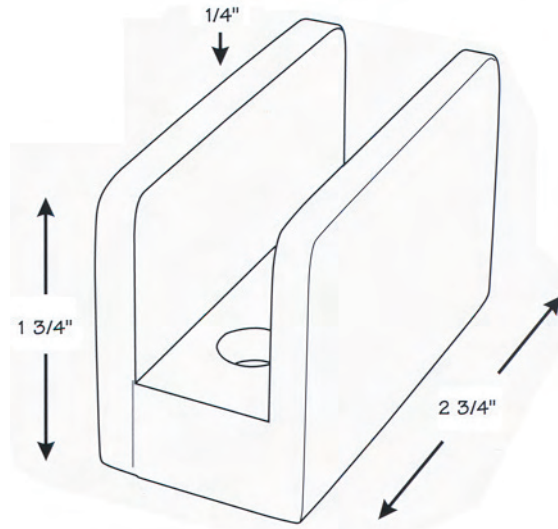
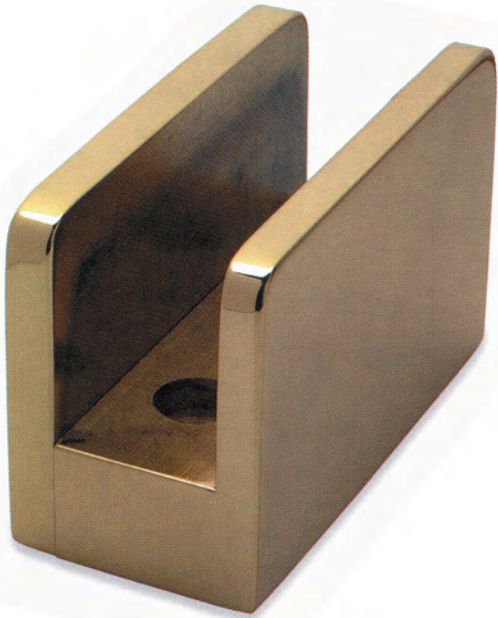


Rajack Designs, Ltd.

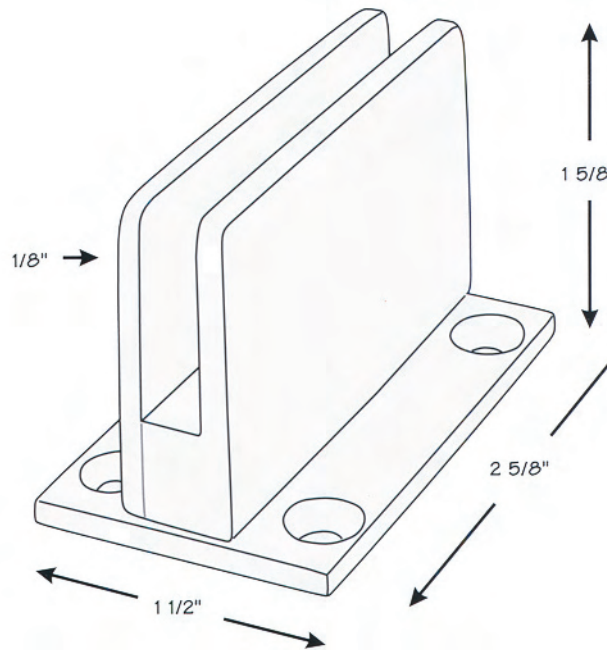
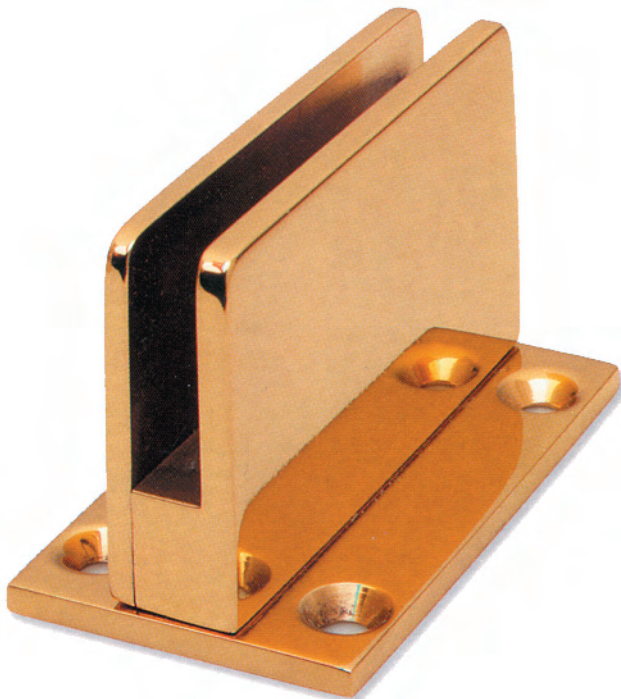


Rajack Glass Door Pivot

Rajack Designs, Ltd.



Can be customized to fit round tubing



Can be customized to fit round tubing

Clamps may be mounted on wall or any other surface, and machined to fit any shape tubing. Can be manufactured to accept 1/2" 3/8" or 1/4" glass, and custom made to specifications.